

Model 5030 Thermoelectric Generators



Global Thermoelectric's Model 5030 Thermoelectric Generator contains no moving parts. It is a reliable, low maintenance source of DC electrical power for any application where regular utilities are unavailable or unreliable.

Power Specifications

Power Rating at 20°C

21 Watts at 12 Volts

21 Watts at 24 Volts

Electrical

Adjustment:	12 V	12 -18 Volts
	24 V	24 - 30 Volts

Reverse current protection included.

Output: Terminal block which accepts up to 10 AWG wire. Opening for 3/4" conduit in the base of the cabinet.

Fuel

Natural Gas:	2.1 m ³ /day (74 Sft ³ /day) 1000 BTU/Sft ³ (37.7 MJ/SM ³) gas max 115 mg/Sm ³ (~170 ppm) H ₂ S max 120 mg/Sm ³ H ₂ O max 1% free O ₂
Propane:	3.0 l/day (0.8 US gal/day)
Max. Supply Pressure:	172 kPa (25 psi)
Min. Supply Pressure:	69 kPa (10 psi)
Fuel Connection:	1/4" MNPT

Environmental

Ambient Operation Temperature: Max. 45°C (115°F) Min. -40°C (-40°F).

Operating Conditions: Unsheltered operation

Please contact Global for operating conditions below -40°C or above +45°C.

Materials of Construction

Cabinet:	Aluminum
Cooling Type:	Natural Convection
Fuel System:	Brass, Aluminum & SS

Standard Features

- Automatic Spark Ignition (SI)
- Automatic Fuel Shut-off (SO)
- Fuel Filter
- Low Voltage Alarm Contacts (VSR)
- Volt & Amp Meter

Optional Features

- Pole Mount or bench stand
- Corrosive Environmental Fuel System

Note: Specifications shown are for standard configurations. Global Thermoelectric's Integrated Systems Engineering Department is available to design custom voltages, fuel supply systems and non-standard operating temperatures.

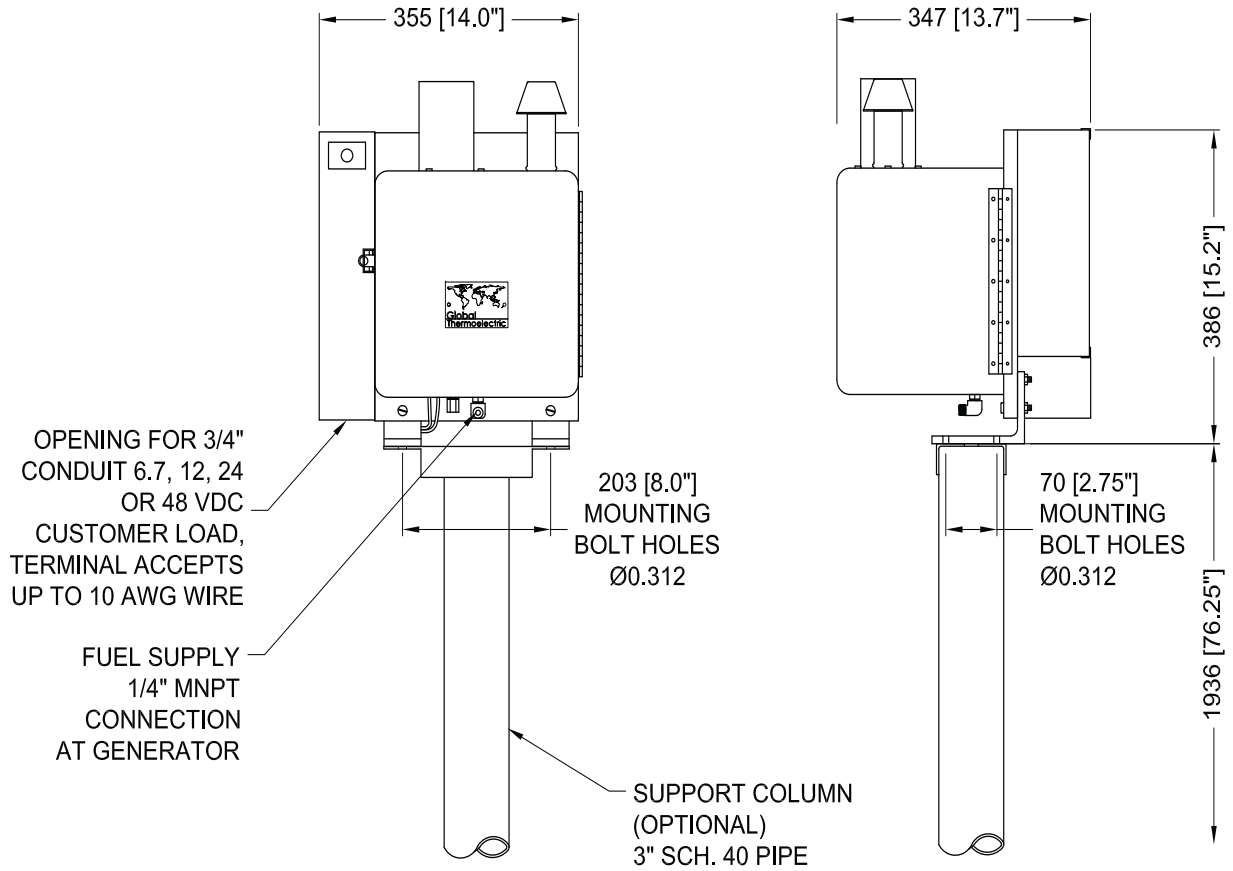


Rev 01-12



Typical Installation

Rev 01-12



42354 rev0

NOTES:

1. GENERATOR WEIGHT: 18 kg [40 lb]
2. DIMENSIONS IN mm [INCHES].



Power where you need it.®

Corporate Office
9, 3700 - 78 Avenue SE
Calgary, Alberta T2C 2L8 CANADA
Phone: (403) 236-5556
Fax: (403) 236-5575
www.globalte.com

US Sales
P.O. Box 38624
Houston, TX 77238
Phone: (281) 445-1515
Fax: (281) 445-6060
Toll Free: 1 800 848-4113

Model 5030 Thermoelectric Generator