

Holloway Type SW (50A/50mV) (other amperages available)*



This is a 50 millivolt panel shunt which can be ordered in a variety of amperage ratings up to 200 amp. Resistance varies according to amperage rating. Potential screws are #6. Holes are for 1/4" bolts and spacing is 2 1/2".

- Current Capacity: 200 A
- Hole Size: 1/4 in
- Bolt spacing: 2-1/2 in
- Capacity: 50 millivolt

*See following pages for amperages available.

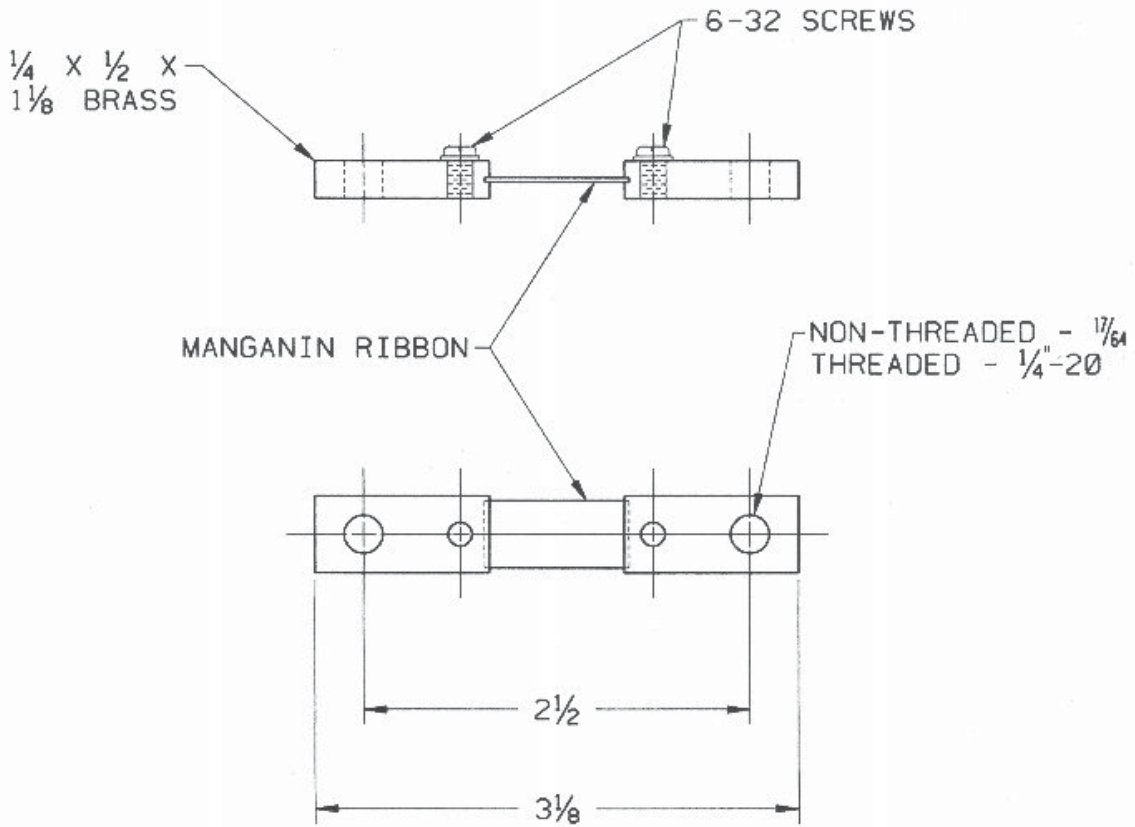
HOLLOWAY SHUNTS

TYPE SW SHUNT

50 Mv.

5 TO 50 AMP

SILVER SOLDER JOINTS



THIS CONFIGURATION FOR SHUNT SIZES:

5 AMPS	50 MILLIVOLTS
10 AMPS	50 MILLIVOLTS
15 AMPS	50 MILLIVOLTS
20 AMPS	50 MILLIVOLTS
25 AMPS	50 MILLIVOLTS
30 AMPS	50 MILLIVOLTS
40 AMPS	50 MILLIVOLTS
50 AMPS	50 MILLIVOLTS

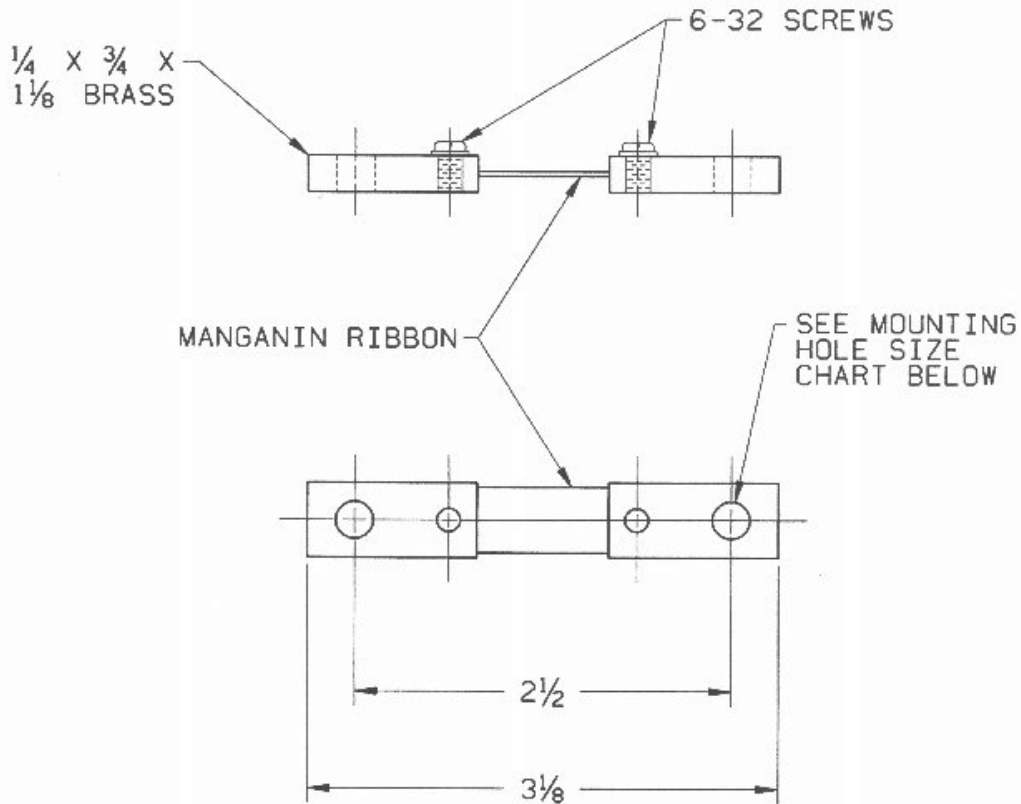
HOLLOWAY SHUNTS

TYPE SW SHUNT

50 Mv.

60 TO 80 AMP

SILVER SOLDER JOINTS



MOUNTING HOLE CHART:

60 AMP	50 MV	-	NON-THREADED	-	$\frac{17}{64}$ "	, THREADED	$\frac{1}{4}$ " -20
75 AMP	50 MV	-	NON-THREADED	-	$\frac{21}{64}$ "	, THREADED	$\frac{5}{16}$ " -18
80 AMP	50 MV	-	NON-THREADED	-	$\frac{21}{64}$ "	, THREADED	$\frac{5}{16}$ " -18

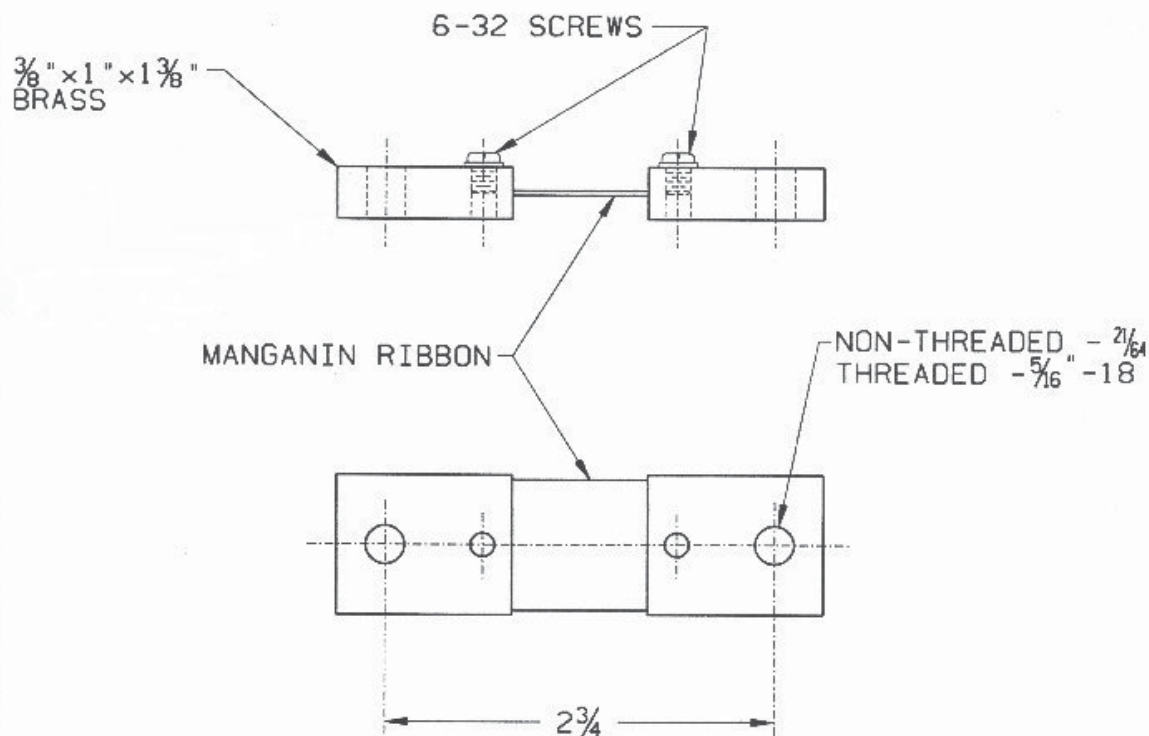
HOLLOWAY SHUNTS

TYPE SW SHUNT

50 Mv.

100 TO 125 AMP

SILVER SOLDER JOINTS



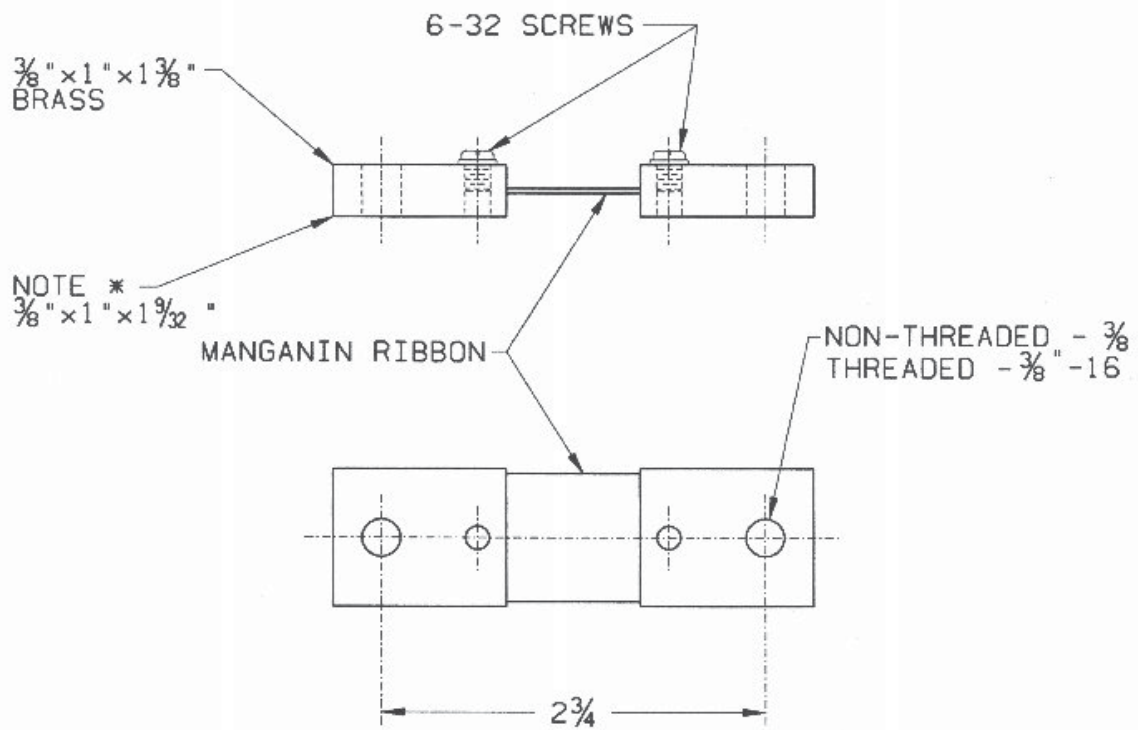
THIS CONFIGURATION FOR SHUNT SIZES:

100 AMPS	50 MILLIVOLTS
120 AMPS	50 MILLIVOLTS
125 AMPS	50 MILLIVOLTS

HOLLOWAY SHUNTS

TYPE SW SHUNT

50 Mv. 150 AMP
SILVER SOLDER JOINTS



HOLLOWAY SHUNTS

TYPE SW SHUNT

50 Mv. 200 AMP
SILVER SOLDER JOINTS

