

Model IT – Permanent Portable Reference

Typical Applications:

- Permanent portable reference electrode for potential measurements in the field

Featuring:

- Maintenance-free construction – never needs re-building
- Eliminates need for hazardous liquid waste disposal
- End-grain wood membrane resists clogging and dry-out
- Can be used in any position



Product Specifications

IT2 1 5/8 inch (4 cm) dia. x 6 inch (15 cm) long

IT3 3 1/4 inch (8 cm) dia. x 5 inch (13 cm) long

Termination 1/4-20 NC threaded stud

Shipping weight ½ lb. (¼ kg)

Element Types

AGG saturated gelled Ag/AgCl

CUG saturated gelled Cu/CuSO₄

Element Specifications

Max. Temp. +140F (60C)

Min. Temp. +32F (0C)

-30F (-34C) with optional antifreeze

Design life 20+ yrs.

Shelf life indefinite when stored indoors with end cap in place

Model IT2 (left) is for general usage.

Model IT3 (right) is designed to be free standing.

The **Model IT** is used to take potential readings in any application where a standard, liquid-junction portable reference electrode is presently being used. Because the **Model IT** contains a gel rather than a liquid, it can be used in all positions and will neither leak nor require refilling or cleaning. The hardwood plug offers several advantages over the conventional ceramic membrane: it will not clog as readily, it is resistant to salt blockage, and it can be reworked by light sanding or cutting if it becomes contaminated with oil. Antifreeze can be added to the gel (optional) so that the electrode will not be damaged if exposed to temperatures down to -30F (-34C). However, antifreeze may shift the reference potential by up to 12 mV.

electrochemical devices, inc.

Sales office: P.O. Box 355; Belmont, MA 02478-0003

Tel: 617-484-9085

Fax: 617-484-3923

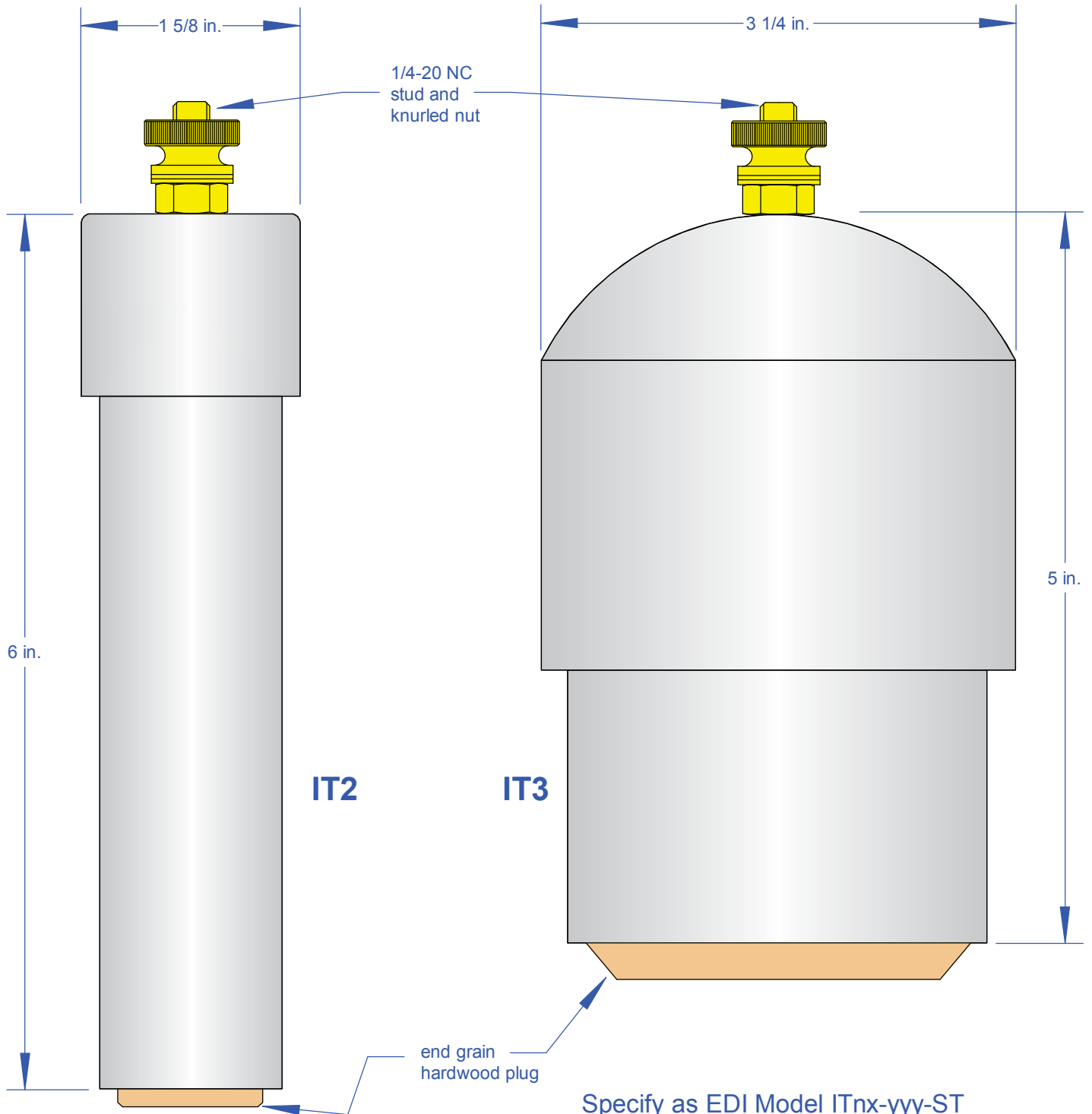
Main office: P.O. Box 31; Albion, RI 02802-0031

Tel: 401-333-6112

Fax: 401-333-9724

***I Series
Immersion
Reference
Electrodes***





IT2

IT3

end grain
hardwood plug

Specify as EDI Model ITn_x-yyy-ST
 where n = size code: 2 or 3
 x = antifreeze code:
 A for antifreeze, otherwise blank
 and yyy = element type: CUG or AGG
 CUG = Cu/CuSO₄ AGG = Ag/AgCl/sat. KCl

Permanent Portable Reference Electrode

SCALE	FULL
DRAWN BY	FJA
DATE	18 FEB 2009
DRAWING NUMBER	ITASY - 3

edi electrochemical devices, inc.
 PO Box 31, Albion, RI 02802 401-333-6112

www.edi-cp.com
 info@edi-cp.com

© EDI
 2009