

Air Cooled **ES Line** Cathodic Protection Rectifiers

Low output, low cost, lightweight cathodic protection rectifiers for underground storage tanks and other low DC power cathodic protection applications
maximum 200 watts & 10 amps

Standard Features **ES-I Line**

- 120V AC single phase input only
- All Circuit breakers - No Fuses
- Heavy duty aluminum case for post or wall mount
- Unique opening cabinet for total access to components
- Assembly only 13" high x 5" wide x 5.5" deep
- Ammeter only
- 18-step voltage control taps
- Silicon rectifying elements
- AC and DC lightning protection
- AC input terminal block
- Accessible front panel Total precision shunt
- Standard outputs: 6V-5A, 6V-10A, 12V-5A, 12V-10A, 20V-5A, 20V-10A, 30V-5A, 40V-5A.
- Other outputs available not exceeding 200W and 10A

Model ES-I Rectifier



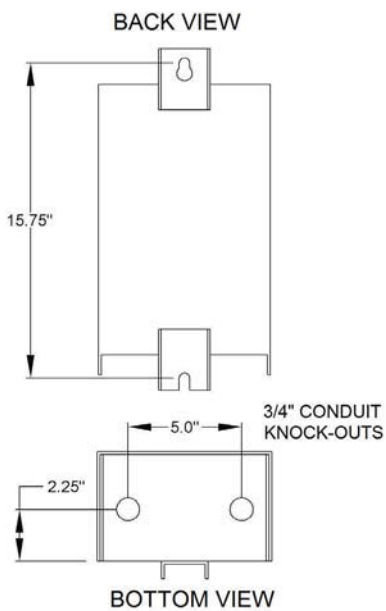
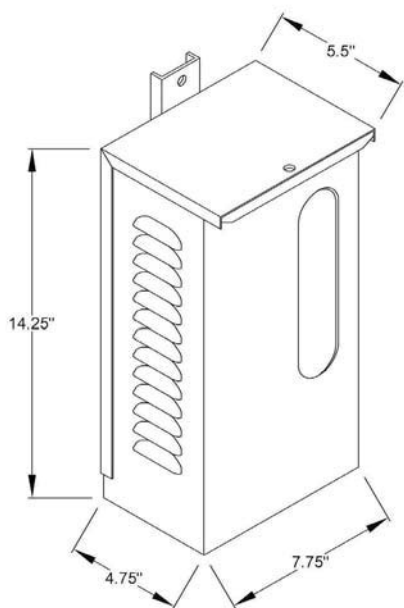
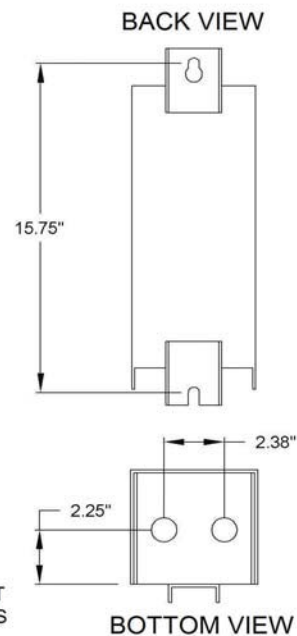
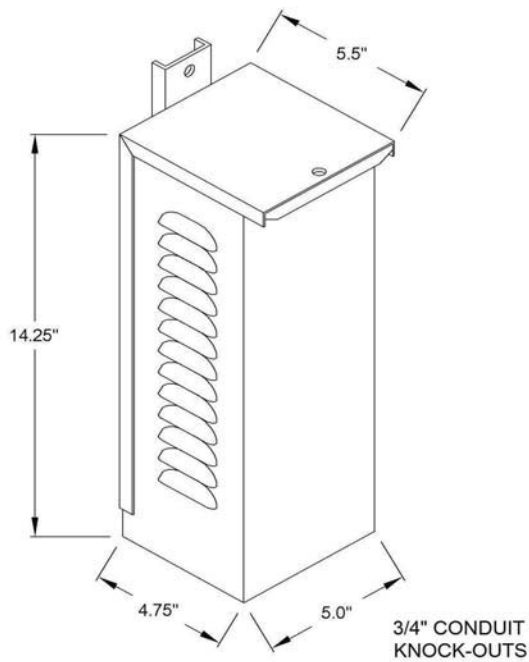
Model ES-II Rectifier



Standard Features **ES-II Line**

- 120V AC single phase input only
- All Circuit breakers - No Fuses
- Heavy duty aluminum case for post or wall mount
- Metering viewing windows
- Unique opening cabinet for total access to components
- Assembly only 13" high x 7.5" wide x 5.5" deep
- Voltmeter and ammeter
- 18-step voltage control taps
- Silicon rectifying elements
- AC and DC lightning protection
- AC input terminal block
- Accessible front panel Total precision shunt
- Standard outputs: 6V-5A, 6V-10A, 12V-5A, 12V-10A, 20V-5A, 20V-10A, 30V-5A, 40V-5A.
- Other outputs available not exceeding 200W and 10A

Typical Cabinet Dimensions Air Cooled ES-I & ES-II Line



Optional Features Air Cooled **ES-I & ES-II Line**



ES-I with Variac Control

ES-I Line

- Variac Control
- NRTL / ETL third party certification

ES-II Line

- Variac Control
- NRTL / ETL third party certification
- Hour Meter
- Red/Green DC failure light
- Solid state controller, Current Control, Voltage Control, or Auto Potential Control



ES-II with Optional Controller

Ordering Code / Model Number Air Cooled **ES Line**

Position #1: Model

ES-I = ES Utility Rectifier

ES-II = ES Utility Rectifier

Position #2: Output Control Type

S = Standard Rectifier (Manual taps)	D = Constant Current Control (ES-II only)
V = Variac Control	P = Constant Potential Control (ES-II only)
E = Constant Voltage Control (ES-II only)	M = Multiple Modes (ES-II only)

Position #3: DC Output Voltage*

List DC Voltage Desired (See available ratings below)

Position #4: DC Output Current*

List DC Current Desired (See available ratings below)

Position #5: Special or Optional Features

H = Hour Meter (ES-II only)	K = Red or Green Status Lights (ES-II only)
-----------------------------	---

* Standard Ratings

6 Volt - 5 Amp	6 Volt - 10 Amp
12 Volt - 5 Amp	12 Volt - 10 Amp
20 Volt - 5 Amp	20 Volt - 10 Amp
30 Volt - 5 Amp	40 Volt - 5 Amp