

## Hull/Flush Mount Anodes

For use on hulls of ships, tugs, barges, etc., operating in seawater. All anodes are faired or tapered to minimize turbulence. Anodes are produced with mild steel core straps.

Note – Internal Cores are All Continuous Mild Steel.

### GA-A-2-10H

**Wt./Anode**

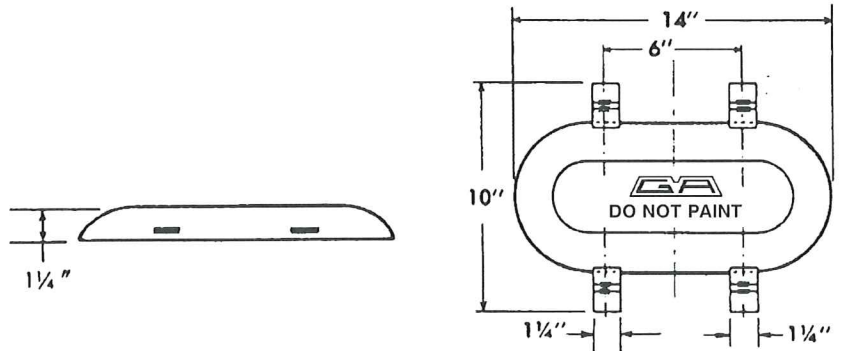
10 lbs.  
4.5Kg

**Nom. Dimensions**

6 1/2" x 1 1/4" x 14"  
165mm x 32mm x 356

**Core Size**

3/16" x 1 1/4"



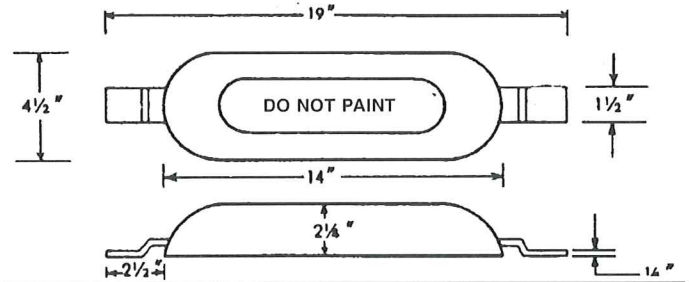
### GA-A-1-12H

**Wt./Anode**

12 lbs. 5.4 Kg

**Nom. Dimensions**

4 1/2" x 2 1/4" x 14"  
57mm x 114mm x 356mm



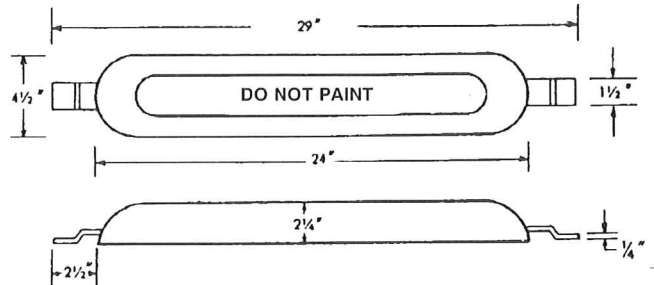
### GA-A-1-20H

**Wt./Anode**

20 lbs. 9.1 Kg

**Nom. Dimensions**

4 1/2" x 2 1/4" x 24"  
610mm x 57mm x 114mm



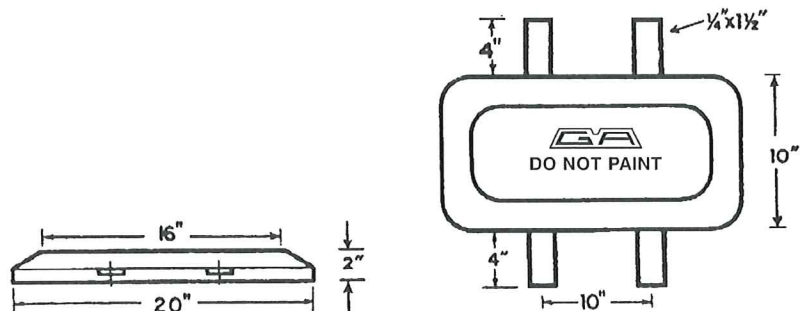
### GA-A-2-32H

**Wt./Anode**

32 lbs. 14.5 Kg

**Nom. Dimensions**

10" x 2" x 20"  
254mm x 51mm x 508mm



## Hull/Flush Mount Anodes

For use on hulls of ships, tugs, barges, etc., operating in seawater. All anodes are faired or tapered to minimize turbulence. Anodes are produced with mild steel core straps.

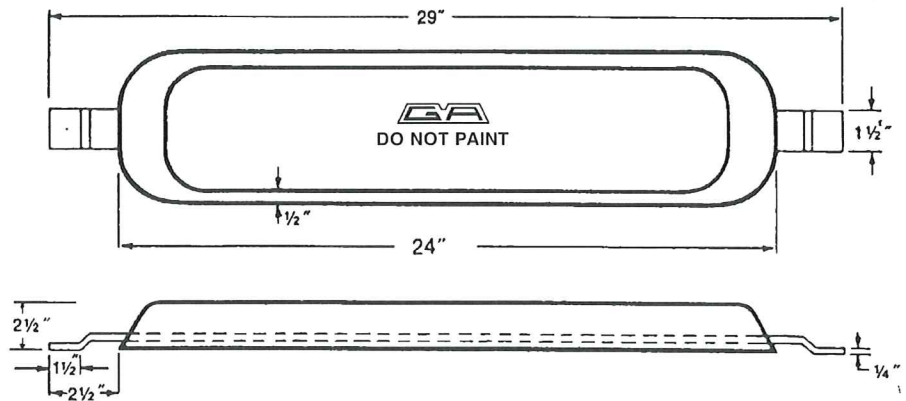
Note – Internal Cores are All Continuous Mild Steel.

### GA-A-1-29H

**Wt./Anode**  
29 lbs.  
13.2 Kg

**Nom. Dimensions**  
5" x 2 1/2" x 24"  
127mm x 64mm x 619mm

**Current Rating**  
4 Ampere – Years

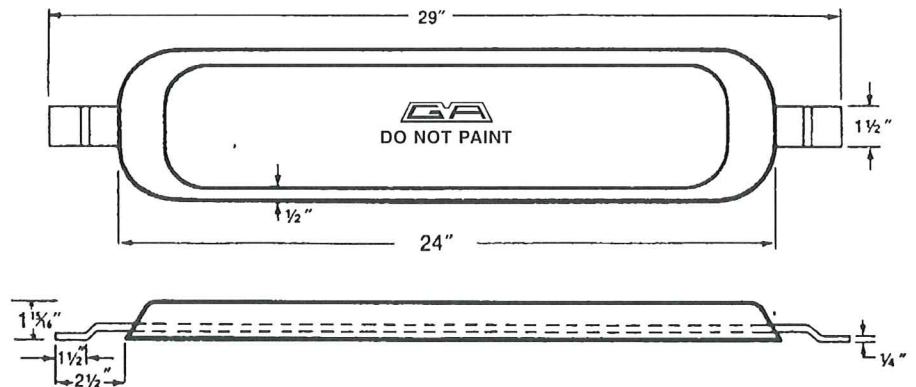


### GA-A-1-23H

**Wt./Anode**  
23 lbs.  
10.4 Kg

**Nom. Dimensions**  
5" x 1 15/16" x 24"  
127mm x 49mm x 610mm

**Current Rating**  
3 Ampere – Years

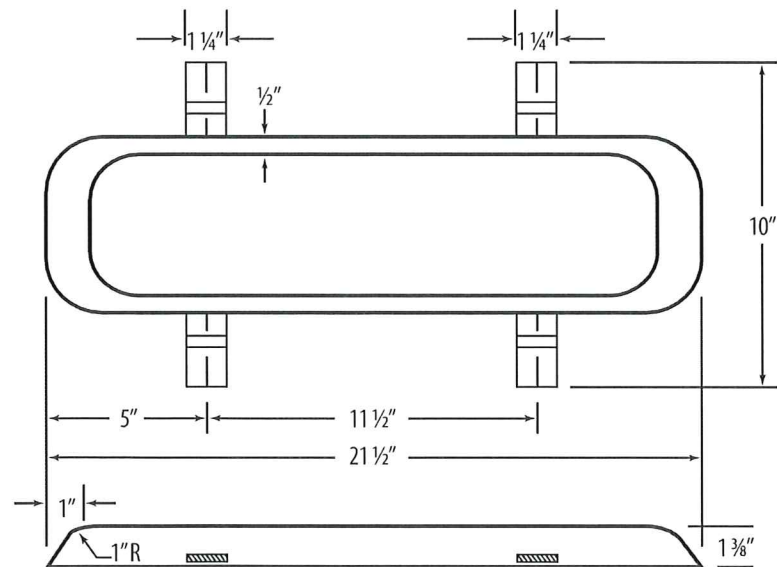


### GA-A-2-15H

**Wt./Anode**  
15 1/2 lbs.  
7.0 Kg

**Nom. Dimensions**  
5" x 13/8" x 21 1/2"  
127mm x 35mm x 546mm

**Current Rating**  
2 Ampere – Years



Note: Also available – GA-A-1-15H same as GA-A-2-15H except has single longitudinal strap. 3/16" x 1 1/4"