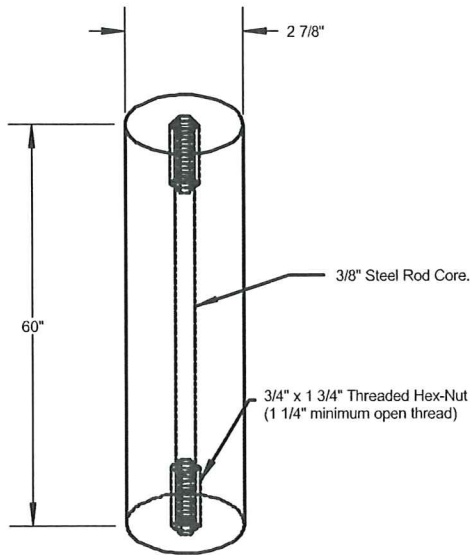


Heater Treater Anodes



Core Type
3/4" Threaded Rod
1/2" Eyebolt
3/4" Coupling

Special anode sizes available on request.

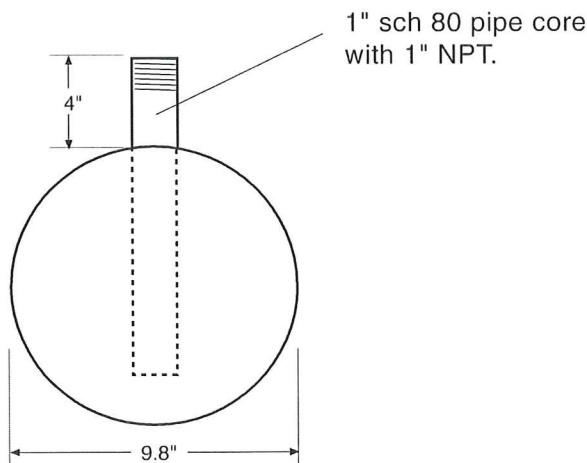
Anode Type	"L" Dimension		Anode Weight	
	in	mm	lbs	Kg
GA-A 3" Dia. x 30	30	762	18.5	8.4
GA-A 3" Dia. x 60	60	1524	37	16.8
GA-A 3.625" Dia. x 60	60	1524	55.0	25.0

GA-A-HS-47

Bowling Ball

Anode supplied with 1" sch 80 Half Collar.

Anode Weight	
lbs	Kg
47	21.3



GA-A-HFT-44

Anode supplied with 1" sch 80 Half Collar.

Anode Weight	
lbs	Kg
44	20

