

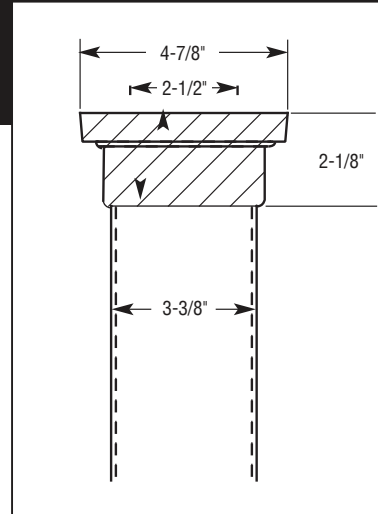
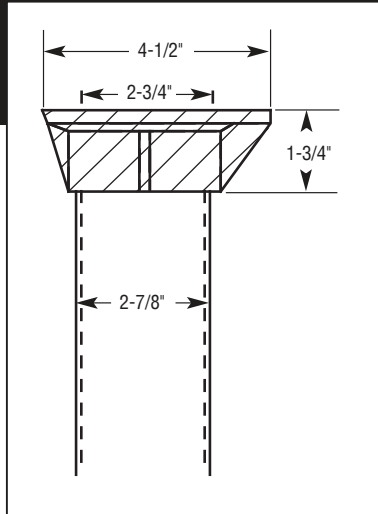


## Mini Test Station

## MRB Test Station

- Locking Lid
- Ideal for Tracer Wire and Locating

- Locking Lid
- Removable Bolt



SHIPPING WEIGHT 2.5 LBS.

SHIPPING WEIGHT 2.5 LBS.



All Test Stations Are Made of High Impact A.B.S. Plastic and Heavy Duty Cast Iron Collars and Covers ASTM Class 25 or Higher.

