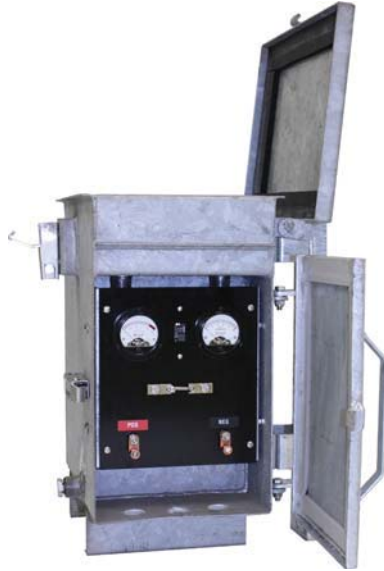


ODR Oil Cooled & Explosion Proof Cathodic Protection Rectifiers

Rugged smaller rectifiers for lower output applications under severe conditions
Maximum 200 watts & 20 amps single phase



Type "ODR" Standard



Type "ODR" Explosion Proof

Standard Features

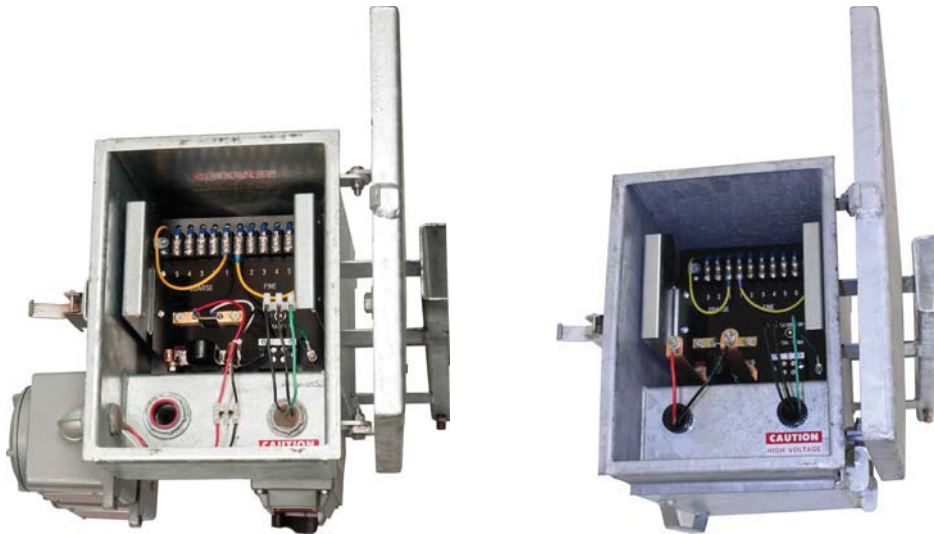
ODR Oil Cooled & Explosion Proof

- Weatherproof to NEMA 3R.
- Heavy duty 11 gauge hot dip galvanized cabinet with hinged top lid and stainless steel hardware.
- Heavy duty, draw-pull, stainless steel cabinet latches.
- Wall mount, Pole mount, or Pad mount
- Separate instrument compartment with hinged door and stainless steel hardware.
- Lift-out component rack for the transformer and rectifier stack.
- Heavy duty transformer with 15% overdesign for reserve capacity.
- Minimum 18-step voltage control terminal strip taps.
- 3/16" Grade XX, Phenolic panels
- AC Input circuit breaker
- Magnetic AC secondary circuit breakers (instead of fuses)
- Hoyt, separate analog, 2-1/2" round, volt and amp meters
- Silicon diodes protected by surge suppressors and current limiting breakers
- All electrical connection hardware is Nickel Plated and double-nutted or soldered
- Multi-strand, high temperature, insulated flexible wiring
- Terminal block for AC input wires (Non-Hazardous models only)

Optional Features

ODR Oil Cooled & Explosion Proof

- Variety of AC voltage single phase inputs, 50 or 60 Hertz
- AC and/or DC High Energy lightning protection
- Communication filters.
- Meter switches - (Non Hazardous model only)
- Power-on indicator light
- DC failure warning lights
- DC circuit breakers
- Additional voltage control adjustments
- Powder coated cabinet finishes over galvanized coating (White or Gray Standard)
- Other options per request of customer.



Cabinet Oil Capacity, Wattage & Weight

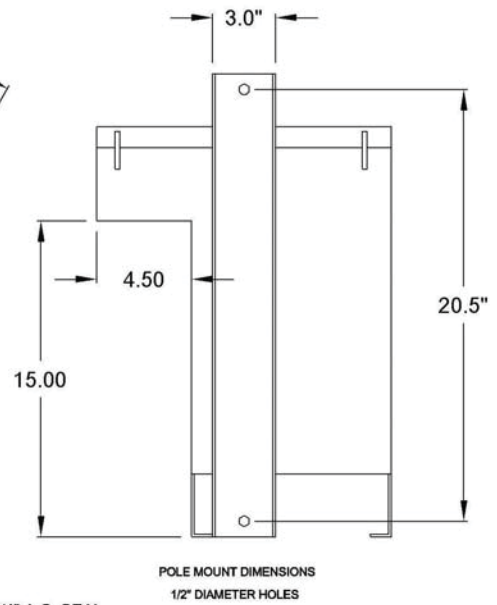
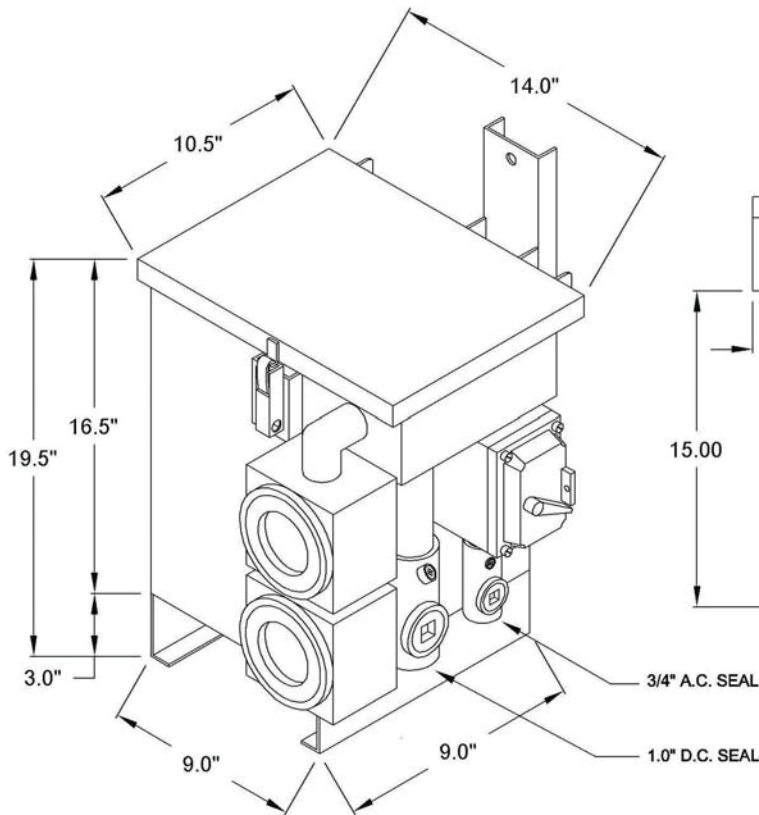
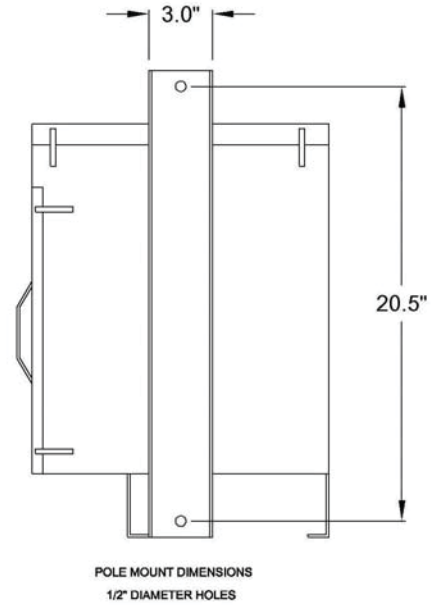
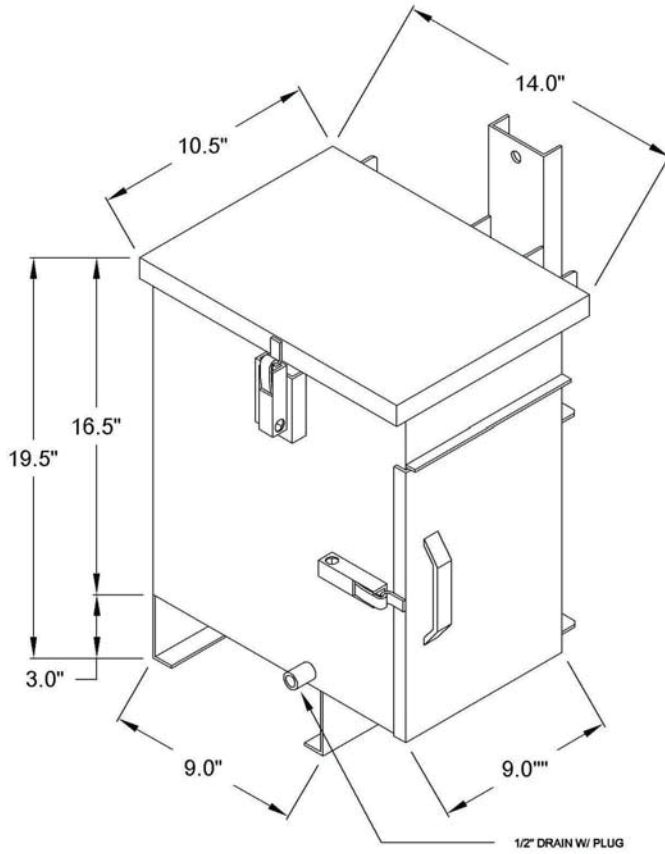
Oil Cooled & Explosion Proof

Single Phase

Case Size	Oil Capacity US Gallons	Maximum DC Watts	Shipping Weight
ODR	3.5	200	90 lbs

Typical Cabinet Dimensions

ODR Oil Cooled & Explosion Proof



Ordering Code / Model Number

Oil Cooled & Explosion Proof

Position #1: Model	
D = ODR Series, Oil Cooled	
Position #2: Type	
S = Standard Rectifier (Manual taps)	
V = Variac Control	
Position #3: Cooling	
O = Oil Cooled Standard	
X = Oil Cooled XP (Hazardous Location) Class 1, Div. 2	
Position #4: Stack Type	
I = Silicon (recommended)	
E = Selenium	
Position #5: DC Volts	
List Maximum DC Voltage Desired	
Position #6: DC Amps	
List Maximum DC Amperage Desired	
Position #7: AC Input	
AA = 115/230, 1 phase set for 115 vac	AB = 115/230, 1 phase set for 230 vac
BA = 230/460, 1 phase set for 230 vac	BB = 230/460, 1 phase set for 460 vac
EA = 115/460, 1 phase set for 115 vac	EB = 115/460, 1 phase set for 460 vac
G = 115, 1 phase only	H = 230, 1 phase only
Position #8: Special Features	
C = AC and DC arrestors	K = DC failure warning light
D = DC arrestor	M = DC breaker
E = AC arrestor	P = Additional voltage control link bar taps
G = Communications filter	Q = Other, specify
H = Meter switches*	
* = For Standard Oil Cooled Rectifiers Only	