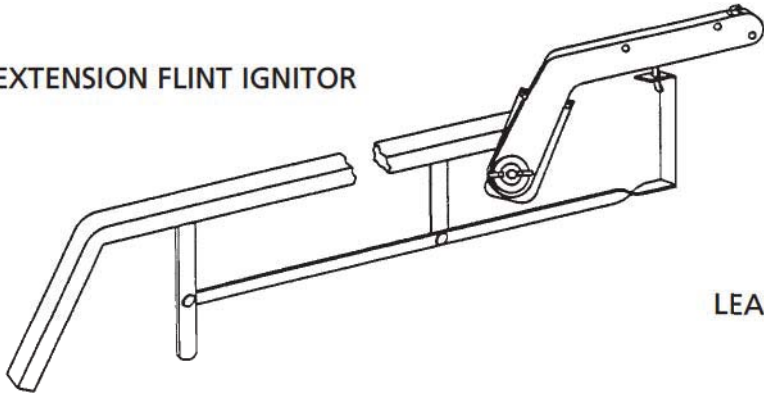
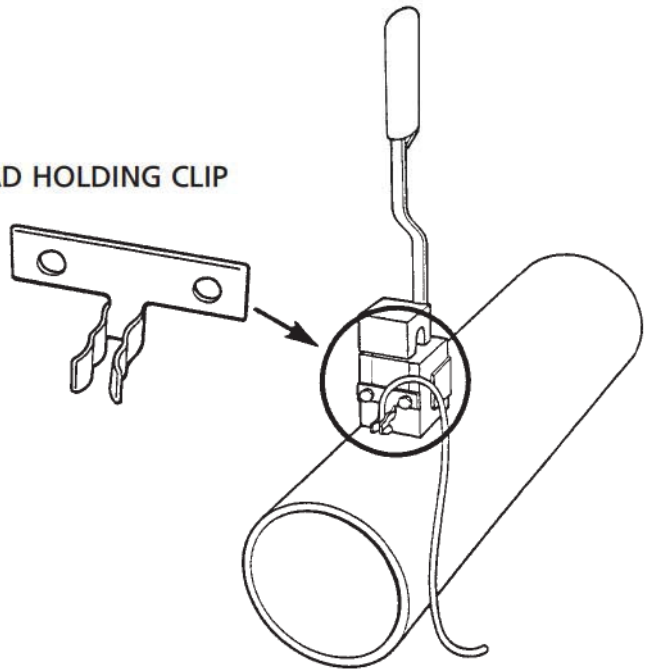


Tools and Materials

EXTENSION FLINT IGNITOR



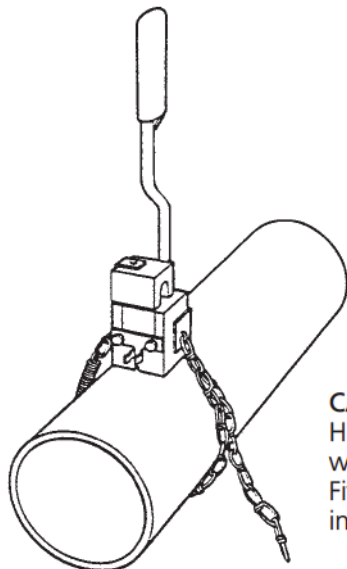
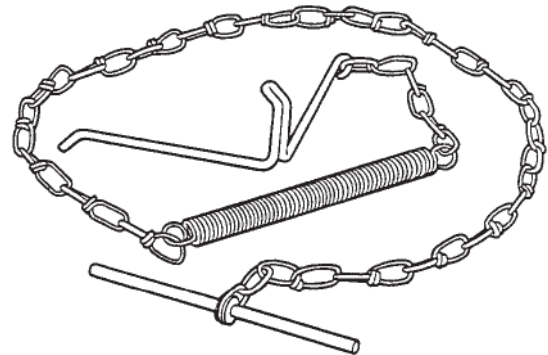
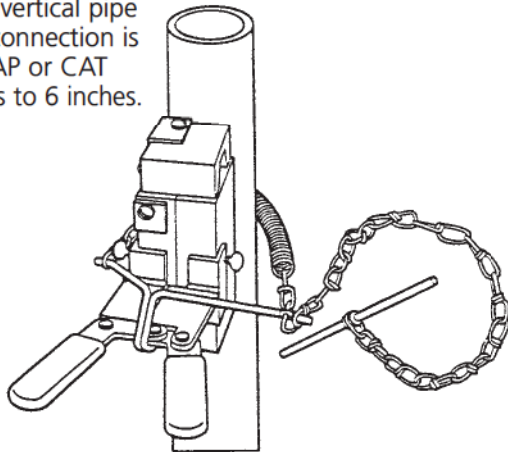
LEAD HOLDING CLIP



Cat. No.	Description
CAB-321-30	Extension including Flint Ignitor (30 inches long)
CAT-320	Replacement Flint Ignitor Only
CAT-320-A	Replacement Flints
CAB-322	Lead Holding Clip - Fits all CAA Price Welders

CAB-319 VERTICAL PIPE CLAMP

Holds the welder to a vertical pipe while the CADWELD connection is made. Fits all CAN, CAP or CAT price welders and pipes to 6 inches.



CAB-320 HORIZONTAL PIPE CLAMP

Holds the welder to a horizontal pipe while the CADWELD connection is made. Fits all CAA price welders and pipes to 6 inches.

