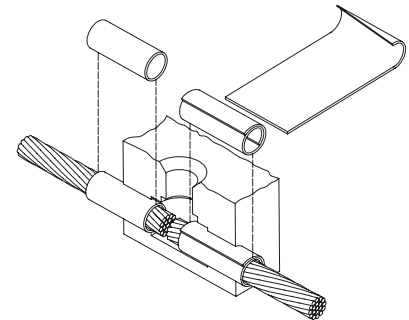


# ADAPTER SLEEVES

## ADAPTER SLEEVES AND SHIM STOCK

thermOweld® molds designed for larger cable sizes can be used on smaller diameter cables if copper adapter sleeves or shim stock are utilized, except CS-48 and CS-49. The copper shim stock, .0108" x 1-1/2" x 3", is normally wrapped around cable until the diameter is about equal to the cable opening. A tight fit is not necessary as the shim stock will unwrap slightly and prevent leakage of weld metal.



To order shim stock use part # 38-0329-00. Shim stock comes 100 pieces per box.

For Use On Cable Size		Catalog #	Use In Mold Size	Sleeve Dimensions		
Stranded	Solid			O.D.	I.D.	Length
#12, #14	#10, #12, #14	38-0200-00	#6 STR & Sol	.156	.111	1.00
#9, #10	#8, #9, #10	38-0208-00	#4 Sol	.203	.140	1.00
#7, #8, #10	#6, #8	38-0201-00	#4	.227	.177	1.00
#6	#5	38-0202-00	#2	.292	.198	1.00
#4, #5	#3, #4	38-0207-00	#2	.287	.246	1.00
#4	#2	38-0204-00	#1	.328	.265	1.00
#2	#1	38-0203-00	1/0	.370	.307	1.00
#1	1/0	38-0209-00	2/0	.420	.359	1.00
1/0, #1	2/0	38-0205-00	3/0 & 4/0 Sol	.452	.389	1.00
2/0, 1/0	3/0	38-0240-00	4/0	.524	.437	1.50

Section 7 - Products for Cathodic Protection

# HAMMER DIES

## HAMMER DIES

Bonds can be made in the field using your own cable, a copper adapter sleeve and a hammer die.

Hammer Die Catalog #	For Use On Cable Size	Adapter Sleeve Catalog #
38-6019-00	#8 Str	38-0201-00
38-6020-00	#6 Str	38-0202-00
38-4859-00	#4 Str	38-0204-00
38-0310-00	#2 Str	38-0203-00
38-0392-00	#1 Str	38-0209-00
38-0311-00	1/0 Str	38-0205-00
38-0312-00	2/0 Str	38-0240-00
38-7292-00	#10 Str	38-0208-00

