

## Air Cooled **UT & SW Series** Cathodic Protection Rectifiers

---

Pole mountable, air cooled cathodic protection rectifiers with swing out and removeable case for superior accessibility for routine maintenance & inspection.

---

Type "UT" Series



Type "SW" Series



The UT & SW Series air cooled cathodic protection rectifiers, are an alternative to Standard Line series air cooled cathodic protection rectifiers. The UT is the smallest model of the two series with a maximum of 400 watts, with all the same features as the larger SW series. Both Series rectifier features swing out and removable design case, which permits superior accessibility for routine maintenance and inspection. Limited to 1,600 watts of DC output, the simplified rectifier design reduces manufacturing costs and provides an economical rectifier suited for most cathodic protection applications.

---

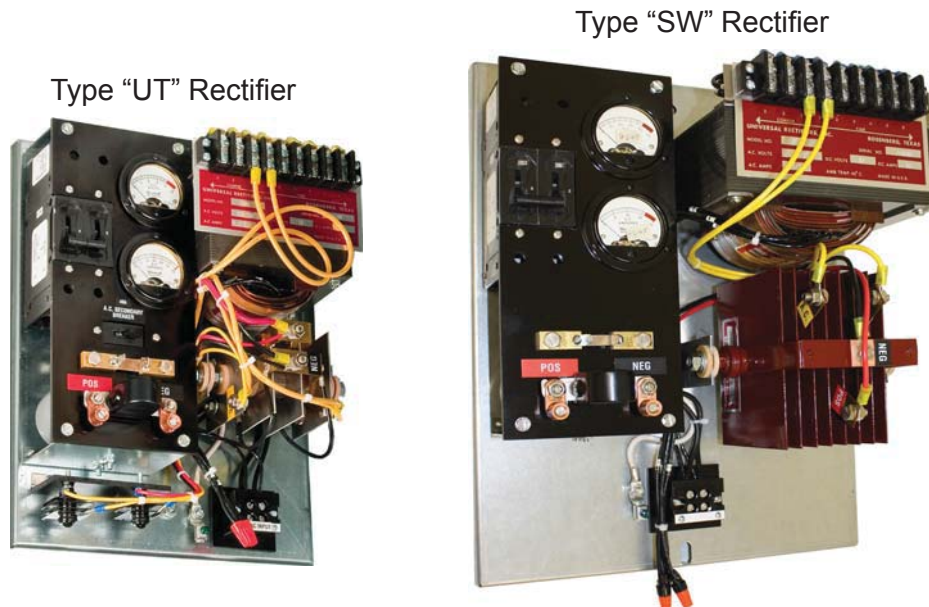
### Standard Features **UT & SW Series**

- Weatherproof to NEMA 3R
- Heavy duty 11-gauge hot dip galvanized cabinet with Stainless Steel Hardware
- Stainless Steel, perforated screens
- Components mounted on galvanized plate for easy removal
- Heavy duty, draw-pull, stainless steel cabinet latch
- Heavy duty transformer with 15% over-design for reserve capacity
- Minimum 18-step voltage control taps
- 3/16" Grade XX, Phenolic front panel
- Accessible front panel Total precision shunt
- Magnetic AC Input circuit breaker
- Magnetic AC Secondary Breakers (instead of fuses)
- Hoyt, separate analog, 2-1/2" round, volt and amp meters
- Silicon diodes protected by surge suppressors and current limiting breakers
- All electrical connection hardware is Nickel Plated and double-nutted or soldered
- Multi-strand, high temperature, insulated flexible wiring
- Terminal block for AC input wires
- Safety shield panel supplied on all units over 65 Volts DC

## Optional Features

### Air Cooled **UT & SW Series**

- A variety of AC voltage inputs single phase only
- AC and/or DC High Energy lightning protection
- Efficiency filter chokes
- Communication filters
- Meter switches
- Power-on indicator light
- DC circuit breakers
- 115 VAC convenience outlet
- Powder coated cabinet finishes (White or Gray Standard)
- Additional voltage control adjustments
- Other options per request of customer



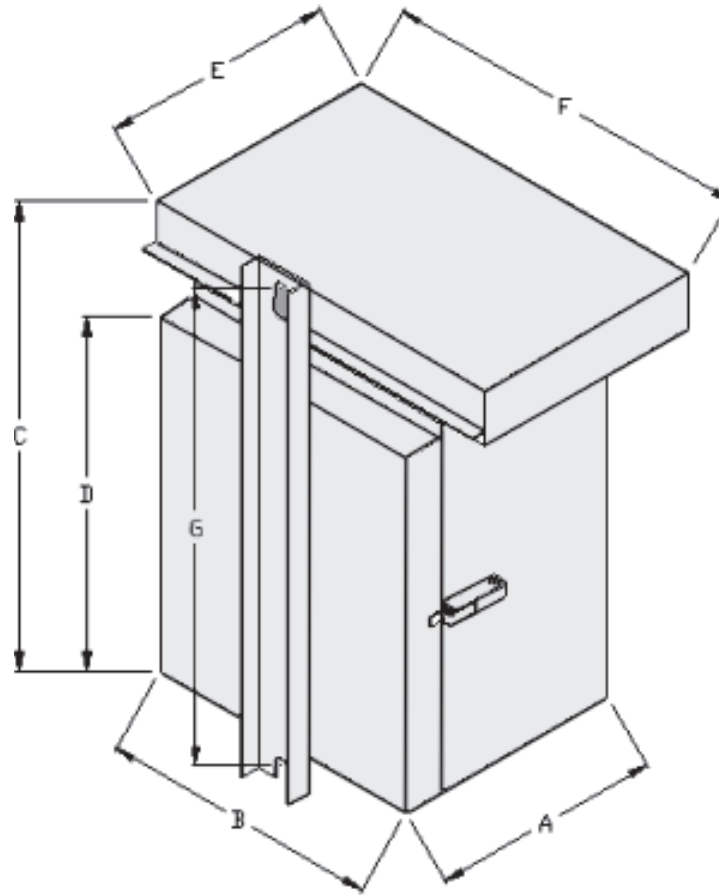

---

## Cabinet Wattage & Weight

Case Size	Maximum DC Watts	Shipping Weight
<b>UT</b>	<b>400</b>	<b>80 lbs</b>
<b>SW1</b>	<b>800</b>	<b>110 lbs</b>
<b>SW2</b>	<b>1200</b>	<b>150 lbs</b>
<b>SW3</b>	<b>1600</b>	<b>200 lbs</b>

Each rectifier is custom built and will vary in weight:  
The weights above are approximate.

## Typical Cabinet Dimensions Air Cooled **UT & SW Series**



**Dimensions (inches)**

Case Size	A	B	C	D	E	F	G
UT	8.75	12	19	17	11	16	20
SW1	12	15	22	18.5	12	20	25
SW2	14	17	25	22	14.5	22	28
SW3	14	20	28	25.5	14.5	25	31

# Ordering Code / Model Number

## Air Cooled **UT & SW Series**

### Position #1: Model

S = SW Series Air Cooled Rectifier

U = UT Series Air Cooled Rectifier

### Position #2: Type

S = Standard Rectifier (Manual taps)

V = Variac Control

### Position #3: Cooling

A = Air Cooled

### Position #4: Stack Type

I = Silicon (recommended)

E = Selenium

### Position #5: DC Volts

List Maximum DC Voltage Desired

### Position #6: DC Amps

List Maximum DC Amperage Desired

### Position #7: AC Input

AA = 115/230, 1 phase set for 115 vac  
 BA = 230/460, 1 phase set for 230 vac  
 EA = 115/460, 1 phase set for 115 vac  
 G = 115, 1 phase only  
 F = Specify

AB = 115/230, 1 phase set for 230 vac  
 BB = 230/460, 1 phase set for 460 vac  
 EB = 115/460, 1 phase set for 460 vac  
 H = 230, 1 phase only

### Position #8: Special Features

C = AC and DC arrestors  
 D = DC arrestor  
 E = AC arrestor  
 F = Filter choke  
 G = Communications filter  
 H = Meter switches  
 J = Power On indicator light

M = DC breaker or fuse  
 R = 115 VAC convenience outlet  
 N = Powder coated cabinet (hot-dip galvanized standard on most models)  
 P = Additional voltage control taps  
 Q = Other, specify