

Zinc Hull/Tank (Flush Mount) Anode

High output zinc anodes are produced to standard alloy compositions conforming to Military Specifications MIL-A-1801 J & ASTM B-418-73, Type I. These alloys are designed to protect steel in seawater environment and contain more than 99% pure zinc.

High output zinc anodes operate at a nominal galvanic efficiency of 95% in seawater. Galvanic efficiency directly impacts anode life and performance. These anodes resist the formation of hard, dense corrosion products and continue producing protective current until complete consumption. The extended service life results in fewer replacements and reduced operating costs.

Composition:

ASTM-B-418 TYPE I

ASTM-B-418 TYPE II MIL-A-18001-K

Fe	0.005% Max.	Fe	0.0014% Max.
Pb	0.006% Max.	Pb	0.003% Max.
Cu	0.005% Max.	Cu	0.002% Max.
Al	0.1 - 0.5%	Al	0.005% Max.
Cd	0.025 - 0.07%	Cd	0.003% Max.
Zn	Remainder	Zn	Remainder

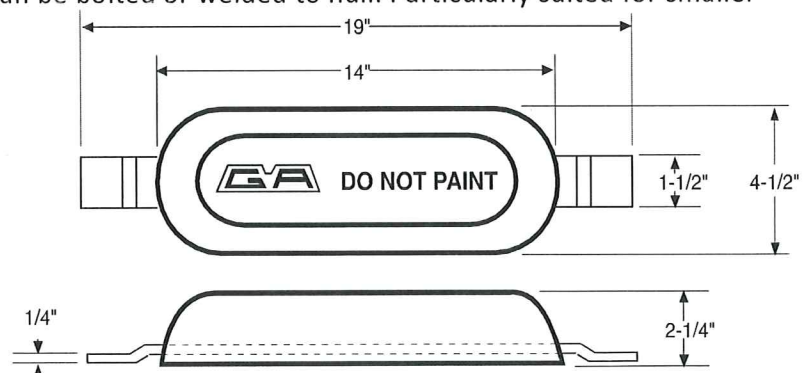
Mil-Spec zinc typical uses in seawater or saline mud:

- Hulls of ships, barges, boats and tugs
- Ballast tanks of tankers, ore carriers and freighters
- Bulkheads
- Piers and Pilings
- Pipelines
- Heat Exchangers

GA-26

Contains single galvanized steel longitudinal strap. Can be bolted or welded to hull. Particularly suited for smaller ships, coastal vessels, harbor tugs, etc.

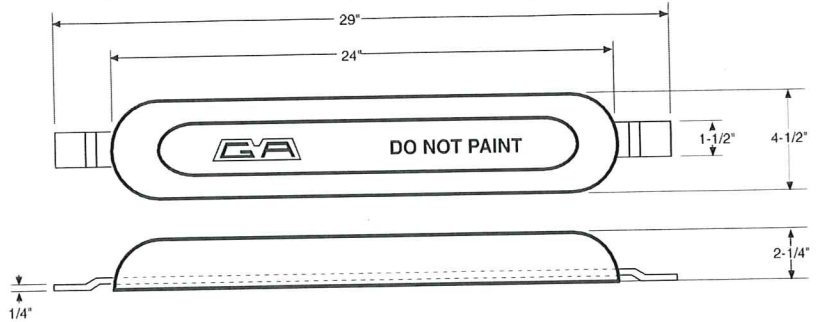
Weight	26 lbs	11.8 kg
Width	4 1/2"	114 mm
Height	2 1/4"	57 mm
Length	14"	356 mm
Current Rating	1 (amp-yrs)	



GA-48

Contains single longitudinal galvanized steel strap for welding to hull. Particularly suited for major ships, 10,000 DWT and upward.

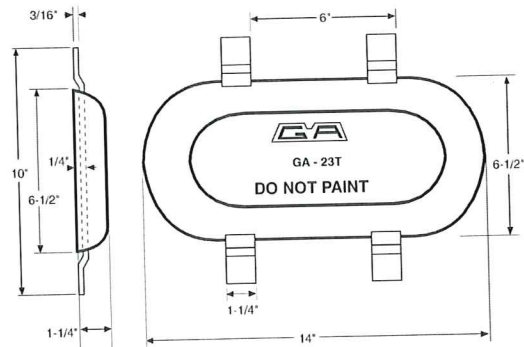
Weight	48 lbs	21.8 kg
Width	4 1/2"	114 mm
Height	2 1/4"	57 mm
Length	24"	61 mm
Current Rating	2 (amp-yrs)	



Tapered GA-23 T

Contains two cast-in galvanized steel mounting strap

Weight	22.5 lbs	10.2 kg
Width	6 1/2"	165 mm
Height	1 1/4"	32 mm
Length	14"	356 mm
Current Rating	1 (amp-yrs)	

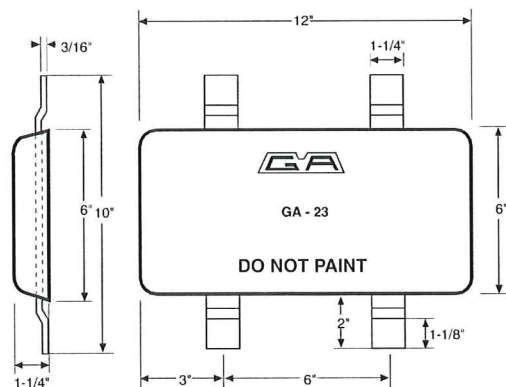


Military Anodes

The anodes shown here conform to the latest modification of MIL-A-18001.

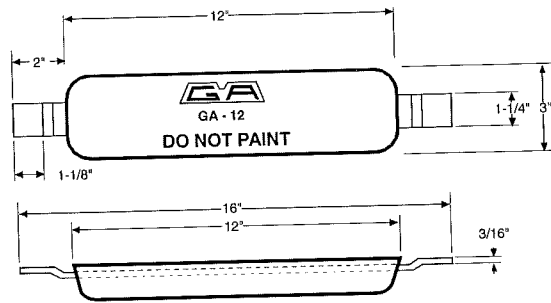
Anodes in this series contain two cast-in galvanized steel mounting straps (brass mounting straps are also available) or two cast-in cored holes on 6" centers. (GA-23C and GA-42C)

Product Number	Mil. Spec.	Wt		W		H		L		Current Rating (amp-yrs)
		Lbs	Kg	in	mm	in	mm	in	mm	
GA-23	ZHS-23	22	10	6	152	1-1/4	32	12	30	1
GA-23C	ZHC-23	22	10	6	152	1-1/4	32	12	30	1
GA-42	ZHS-47	42	19	6	152	2-1/2	64	12	30	1
GA-42C	ZHC-47	40	18	6	152	2-1/2	64	12	30	1



These anodes contain a single cast-in galvanized steel mounting strap measuring $3/16"$ x $11/4"$ x $16"$.
 Option: Holes in straps.

Product Number	Mil.	Wt		W		H		L		Current Rating (amp- yrs)
	Spec.	Lbs	Kg	in	mm	in	mm	in	mm	
GA-12	ZSS-12	11	5	3	76	1-1/4	32	12	30	0.5
GA-24	ZSS-24	22	10	3	76	2-1/2	64	12	30	1



A teardrop-shaped anode containing a single, cast-in galvanized steel strap.

Product Number	Mil.	Wt		W		H		L		Current Rating (amp- yrs)
	Spec.	Lbs	Kg	in	mm	in	mm	in	mm	
GA-TD6	ZTS	5	2.3	3	76	1-1/4	32	9	41	0.25

