

Air Cooled **Standard Line** Cathodic Protection Rectifiers

Heavy duty, pole mountable, air cooled cathodic protection rectifiers



Type "A" Rectifier



Type "B" Rectifier

The "Standard Line" air cooled, cathodic protection rectifiers are recognized as industry leading in quality, workmanship and service life. Many years of field-proven service prove their superior design. Conservative equipment ratings, controlled manufacturing techniques, plus many extra features ensure long and trouble-free operation.

Typical cathodic protection applications for the air cooled rectifier line include pipelines, tank farms, storage fields, and other non-hazardous locations where continuous duty, DC power is required.

Standard Features Air Cooled **Standard Line**

- Weatherproof to NEMA 3R
- Heavy duty 11-gauge hot dip galvanized cabinet with Stainless Steel Hardware
- Stainless Steel, perforated screens
- Front and side opening doors for easy maintenance
- Heavy duty, draw-pull, stainless steel cabinet latch
- Slide-out equipment racks, separate Transformer and Stack assemblies for units over 1200 watts
- Heavy duty transformer with 15% over-design for reserve capacity
- Minimum 18-step voltage control link bar taps
- Quick-change, heavy-duty knobs for changing tap link bars
- Minimum 5/16" diameter, soldered tap changing studs
- 3/16" Grade XX, Phenolic front panel
- Accessible front panel Total precision shunt
- Magnetic AC Input circuit breaker
- Magnetic AC Secondary Breakers on all units less than 100 amps (instead of fuses)
- Hoyt, separate analog, 2-1/2" round, volt and amp meters
- Silicon diodes protected by surge suppressors and current limiting breakers < 100 Amps or fuses
- All electrical connection hardware is Nickel Plated and double-nutted or soldered
- Multi-strand, high temperature, insulated flexible wiring
- Terminal block for AC input wires
- Primary tap change panel for dual input voltages (Single Phase models only)
- Safety shield panel supplied on all units over 65 Volts DC

Optional Features Air Cooled **Standard Line**

- Variety of AC voltage inputs, Single Phase, Three Phase, 50 or 60 Hertz
- AC and/or DC High Energy lightning protection
- Efficiency filter chokes
- Communication filters
- Meter switches
- Pedestal, base mounting legs, Wall Mount
- Power-on indicator light
- DC failure warning lights
- DC circuit breakers < 100 amps or fuses
- 115 VAC convenience outlet
- Powder-coated cabinet finishes (White or Gray standard)
- Optional cabinet materials, such as aluminum or stainless steel
- Anodized finish for aluminum cabinets
- Anodized finish with clear coat for aluminum cabinets
- Additional voltage control link bar taps
- Alternate output control (constant current, constant voltage, constant potential, and constant potential with IR drop free feature)
- NRTL / ETL third-party certification
- Other options per customer request



Type "A" Rectifier



Type "C" 3 Phase Rectifier



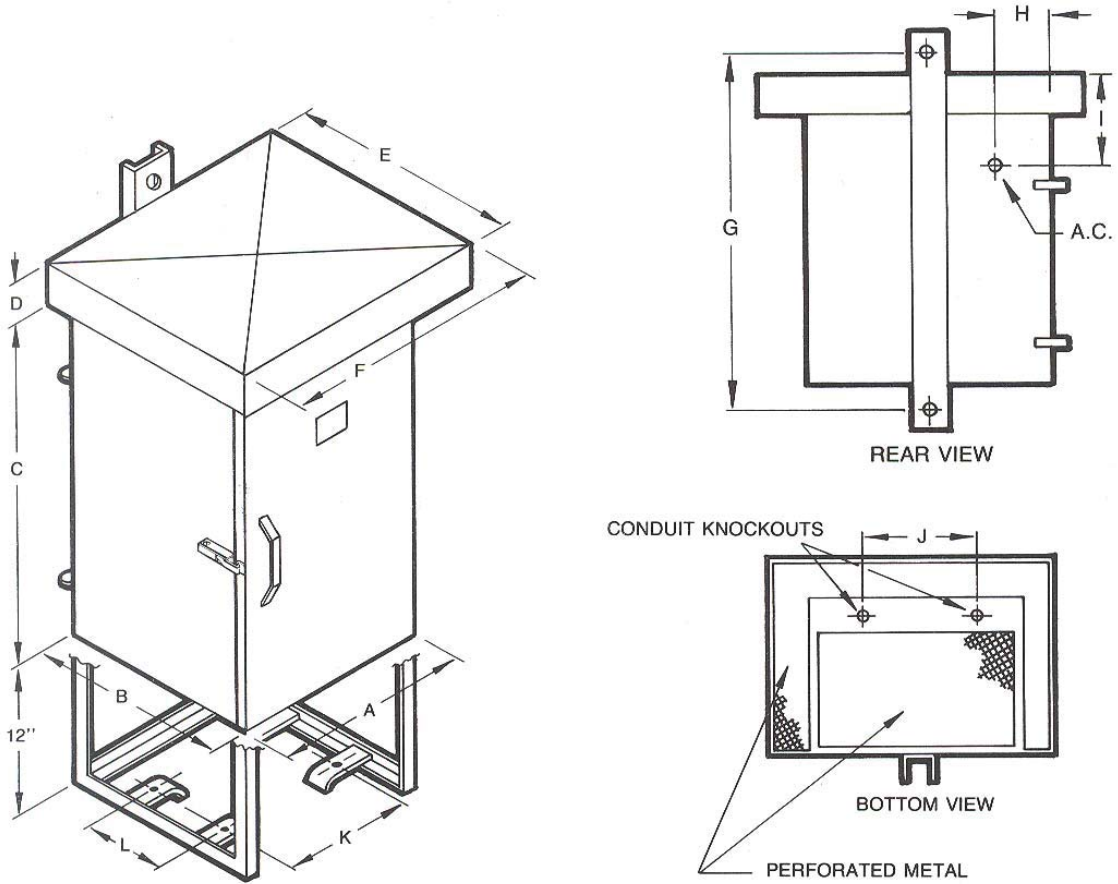
Type "C" 1 Phase Rectifier

Cabinet Wattage & Weight Air Cooled **Standard Line**

	Single Phase		Three Phase	
Case Size	Maximum DC Watts	Shipping Weight	Maximum DC Watts	Shipping Weight
A	1200	135 lbs	-	-
B	2800	185 lbs	1000	225 lbs
C	6000	300 lbs	6500	385 lbs
D	10,000	410 lbs	12,000	625 lbs
E	12,000	525 lbs	18,000	750 lbs

Each rectifier is custom built and will vary in weight:
The weights above are approximate.

Typical Cabinet Dimensions Air Cooled **Standard Line**



Case Dimensions (inches)

Case Size	A	B	C	D	E	F	G	H	I	J	K	L
A	14.5	12	9.5	3	14.5	19	26.25	3	7.5	6	7.5	3.0
B	17.5	15.5	23.5	3.5	18	23	32	3	9	8	10	6.0
C	22.5	21.5	23.5	3.5	24	28	32	3	9	10	15	10
D	28.5	22.5	23.5	3.5	25	34	32	3	9	12	21	10
E	34	28	33	5	33	44	41.25	3	10.5	14	25	14

Ordering Code / Model Number

Air Cooled **Standard Line**

Position #1: Model

A = Standard Line, Air cooled

Position #2: Type

S = Standard Rectifier (Manual taps)	P = Constant Potential (solid state)
C = Constant Current (Reactor style)	I = Constant Potential IR free (solid state)
D = Constant Current (Solid state)	M = Multiple Modes (Specify Modes Required)
E = Constant Voltage (Solid state)	V = Variac Control

Position #3: Cooling

A = Air Cooled

Position #4: Stack Type

I = Silicon (recommended)

E = Selenium

Position #5: DC Volts

List Maximum DC Voltage Desired

Position #6: DC Amps

List Maximum DC Amperage Desired

Position #7: AC Input

AA = 115/230, 1 phase set for 115 vac	AB = 115/230, 1 phase set for 230 vac
BA = 230/460, 1 phase set for 230 vac	BB = 230/460, 1 phase set for 460 vac
CA = 230/460, 3 phase set for 230 vac	CB = 230/460, 3 phase set for 460 vac
EA = 115/460, 1 phase set for 115 vac	EB = 115/460, 1 phase set for 460 vac
G = 115, 1 phase only	D = 208, 3 phase
H = 230, 1 phase only	F = Specify

Position #8: Special Features

C = AC and DC arrestors	R = 115 VAC convenience outlet
D = DC arrestor	N = Powder coated cabinet (hot-dip galvanized standard on most models)
E = AC arrestor	O = Aluminum cabinet
F = Filter choke	T = Anodized aluminum cabinet
G = Communications filter	U = Anodized aluminum with clear coat
H = Meter switches	P = Additional voltage control link bar taps
I = Base mounting	S = Multiple rectifiers in one case (qty.)
J = Power On indicator light	Q = Other, specify
K = DC failure warning light	
M = DC breaker (> 100 amps) or fuse	